

IPCT.1 Industrial PC with 8" touchscreen



Summary A PC-based control unit PC to be used with the domat I/O modules, plastic front panel, 8" (20cm) touch screen 800 x 600 pixels. Two or three serial ports, 2x USB, Ethernet. Fanless construction.

Applications ▪ Residential and industrial control unit

Functions The IPCT.1 is the most comfortable way to supervise and control the domat I/O modules plant. Configurable serial ports make interfacing the plant fast and easy while the Ethernet port enables taking advantage of progressive network functionality. Thanks to the USB ports, standard peripherals can be used.

The application can be controlled via a touch panel while standard keyboard and mouse may be connected as well over USB.

Robust fanless construction with passive processor cooling provide reliable, noiseless operation so that IPCT.1 can be installed in residential buildings.

The unit can be mounted in an aperture so that only the frame and LCD touchscreen are visible. Metal clamps are included in the delivery. Ensure that sufficient air circulation is provided. For proper galvanic separation of the I/O bus, use **domat R012** converter.

See *domat - Technical application notes* for connection and application examples.

Technical data

System

Processor	Intel Atom Cedar View N2600 1.6GHz Dual Core Processors
System Chipset	Intel NM10
System Memory	Onboard DDR3 2GB 800 MHz

I/O port

USB	2 x USB 2.0 type A, USB4/5
-----	----------------------------

Serial 1 x RS-232/422/485 DB-9, COM1, Default RS-232
1 x RS-232 DB-9, COM2

Audio 1 x Line out phone jack

LAN 2 x GbE RJ-45

Power 3 pins terminal block connector, DC Power input

Storage Space

HDD 1 x 1.8" SATA 2 half size

Movable device 1 x Internal SD slot

Expansion

Expansion Slot 1 x Internal Mini-PCIe half size

Display

Display Type 8" TFT-LCD

Max. Resolution 800x600

Max. Color 16.2 M

Luminance (cd/m²) 350

Viewing Angle (Degree) 140/125

Touch screen

Type Projected Capacitive Touch

Light Transmission(%) 90%

Power

Power Input 9~36V DC

Power Consumption Max:15.2W

Mechanical

Construction Sliver aluminum front bezel and chassis

IP Rating IP65 front panel

Mounting Panel mounting, VESA 75 x 75

Dimensions (WxHxD) 231.1mm x 176.1mm x 50mm

Net Weight (Kgs) 1.8

Environmental

Operating Temperature 0~50°C, -20~60°C (option)

Storage Temperature -20~60°C

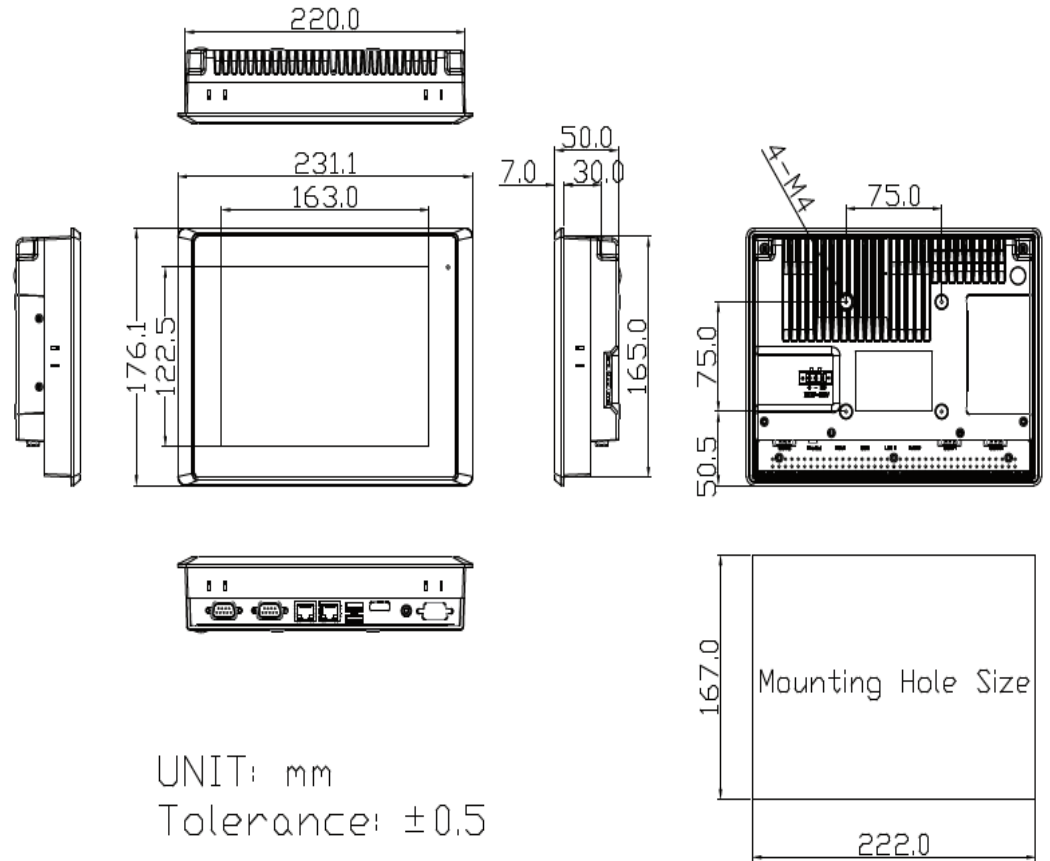
Storage Humidity 10 to 90%@ 40°C, non-condensing

Certificate CE / FCC Class A / UL

Operating System Support

- Windows XP pro
- Windows XP Embedded
- Windows Embedded CE6.0
- Windows 7 32-bit pro for Embedded
- Windows Embedded standard 7 32-bit
(Win 7 32-bit support 3D Graphic function)

Dimensions



RoHS notice The device contains a non-rechargeable battery which backups the real-time clock and part of the memory. After the device is not operable, please return it to the manufacturer or dispose of it in compliance with local regulations.

**Changes in
versions**

11/2016 – Changes format and added information.